

**Product features**

Low VSWR, high cost-effectiveness.

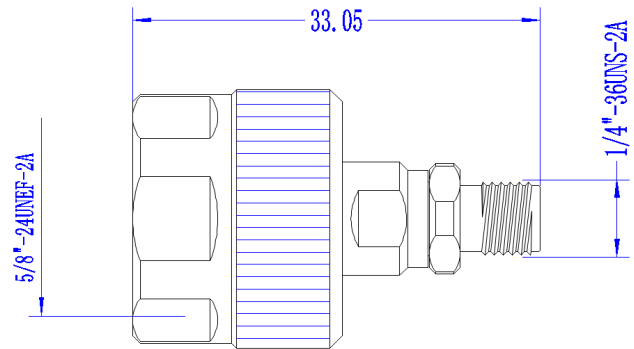
**Main specifications**

Parameters	Min	Typical	Max	Units
Frequency	DC	~	18	GHz
IL		0.2		dB
VSWR			1.1	

**Other parameters**

Impedance	50Ω
Connector	N-J & SMA-K
Surface	Passivation of stainless steel
Product shell material	Stainless steel SUS303F
Inner conduct or	Beryllium Copper Gold Plated
Spanning	PEI1000
Work Temp.	-55~+125°C Design assurance
Other	Executive Standard GJB680A-2009

**Reference picture**

**Configuration(mm)**


Note: The specifications and performance data contained in this data sheet are based on tests established by CMW.