

Main specifications

Parameters	Min	Typical	Max	Units
Frequency	0	~	18	GHz
Attenuation	4.5	5	5.5	dB
VSWR		1.2	1.35	

Other parameters

Power	2W
Impedance	50Ω
Connector	SMA-JK
Connector material	Stainless steel
Work Temp.	-40~+85°C Design assurance
Other	Replace BW-S5W2+

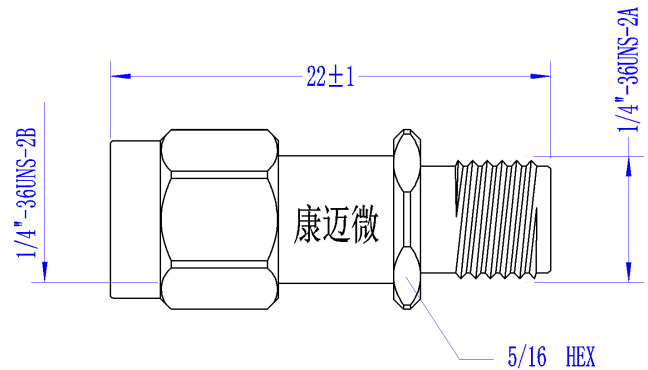
Typical test data

Frequency GHz	S11 VSWR	S22 VSWR	S12 IL (dB)
0.01	1.01	1.01	-5.11
1.43	1.01	1.02	-5.13
2.86	1.03	1.03	-5.13
4.29	1.03	1.02	-5.13
5.71	1.01	1.02	-5.09
7.14	1.04	1.06	-5.06
8.57	1.05	1.14	-5.01
10	1.08	1.19	-4.96
11.43	1.13	1.17	-4.93
12.86	1.16	1.19	-4.97
14.29	1.14	1.22	-5.03
15.71	1.03	1.18	-4.96
17.14	1.08	1.19	-4.99
18.57	1.11	1.2	-4.98
20	1.22	1.29	-5.12

Note

1. When installing attenuators, it is necessary to consider sufficient heat dissipation space and avoid installing them next to equipment with high heat output, otherwise the power capacity will decrease;
2. Small power attenuators do not have input and output directions, nor do they indicate directions. When high-power attenuators have input and output port markings, they must be connected to the equipment in the specified direction, otherwise the attenuator may burn out.

Reference picture

Configuration(mm)

Typical test curve
